

Floor HIAB Roller 165-F3 Rotator

COMMON

Price	On request ex VAT
Id	FL022611
Make	Floor
Type	HIAB Roller 165-F3 Rotator
Year	2008
Construction	Open body
Gross weight	48.000 kg

PROPERTIES

First registration date	03-01-2008
License plate	OK-63-FS
Vehicle identification number	XLT0000000W022611
Axle count	3
Weight	8.400 kg
Wheelbase	1.000 cm
Construction dimensions (l/b/h)	
Load capacity	39.600 kg
Length	1.348 cm
Width	254 cm
Lifting height	790 cm
Lifting capacity	1.980 kg

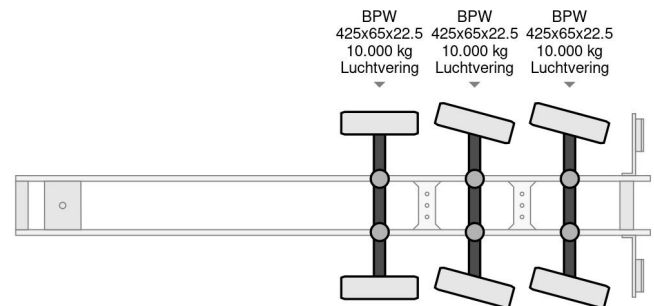
ACCESSORIES

- Anti-lock braking system



Floor HIAB Roller 165-F3 Rotator

Referentienummer: FL022611



DESCRIPTION

3,5 m 4570 kg
5 m 3220 kg
6,3 m 2570 kg
7,9 m 1980 kg
6075531957