

Iako RAMPEN EN HEFDEK 3,4 M

COMMON

Price	€ 27.950,- ex VAT
Id	LA145651-G
Make	Iako
Type	RAMPEN EN HEFDEK 3,4 M
Year	2005
Construction	Low loader
Gross weight	28.000 kg

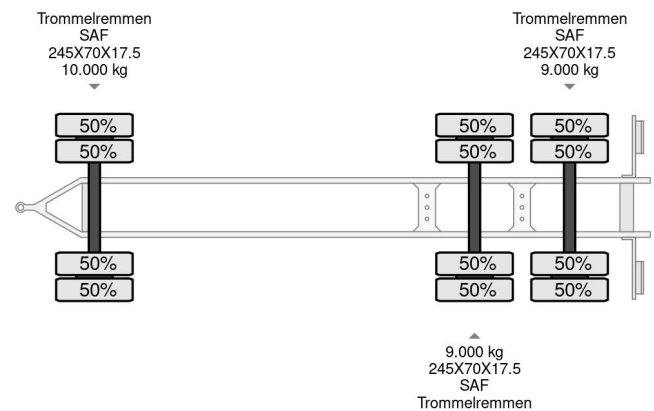
PROPERTIES

First registration date	08-07-2005
License plate	WR-XG-03
Vehicle identification number	XL900000000145561
Axle count	3
Weight	9.040 kg
Wheelbase	671 cm
Construction dimensions (l/b/h)	
Load capacity	18.960 kg
Width	255 cm



Lako RAMPEN EN HEFDEK 3,4 M

Referentienummer: LA145651-G



ACCESSORIES

- Anti-lock braking system

DESCRIPTION